

Resin Flowmeter

MODEL RK20T Series

A compact and lightweight flowmeter made of resin. Two types, one with a valve and one without a valve, are available. These meters are designed for easy reading of flow rates and suitable for air sampling equipment, medical equipment, analysis equipment, purging systems, water treatment equipment, etc.

Features

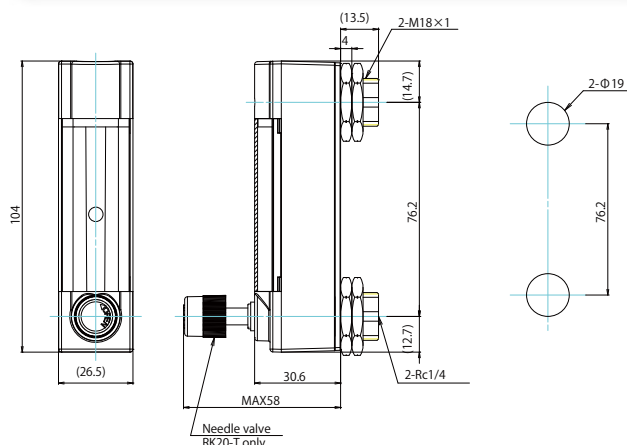
- Low price
- Short delivery time
- Lightweight and compact thanks to resin
- Simple and easy to read

Standard Specifications

Fluid	Air/N ₂	WATER
	0.05~0.5L/MIN	2.5~25mL/MIN
	0.1~1.0L/MIN	30~300mL/MIN
	0.5~5.0L/MIN	100~800mL/MIN
	1.0~10L/MIN	200~1600mL/MIN
	2.5~25L/MIN	500~2800mL/MIN
	5~50L/MIN	
	20~100L/MIN	
Accuracy	FS±6%	
Connection	Rc1/4	
Material	Body	ABS
	Tapered tube	Acrylic resin
	Float	Hard glass, SUS316
	Joint	SUS303
	Seal material	FKM
Proof pressure	0.7MPa	
Max. working temperature	65°C	

Notes (1) If the resin part of the flowmeter body is gripped when installing a joint, the resin part may be broken. Be sure to hold the metallic part to screw in the joint.
 (2) This flowmeter is designed for simplified checking of flow. For more stable and accurate flow regulation, an upper model such as RK1250 is recommended.
 (3) The specifications are subject to change without notice.

Dimensions



Ordering method

