



Large Capacity Flowmeters

MODELS RK2000/RK2005/RK2006 SERIES

These are large capacity float type flowmeters. Flows within the ranges of 200 to 1,000 L/MIN (for gases) and 10 L/MIN to 30 L/MIN (for liquids) full scale can be measured and controlled.

Features

- Capable of measuring/controlling large flows of gases in the ranges of 200 to 1,000 L/MIN full scale (Air calibration)
- Capable of measuring/controlling large flows of liquids in the ranges of 10 to 30 L/MIN full scale (Water calibration)
- Low prices
- Can be mounted onto various types of measuring instruments and sampling systems, and in diverse plants.

Standard Specifications and Length Designations

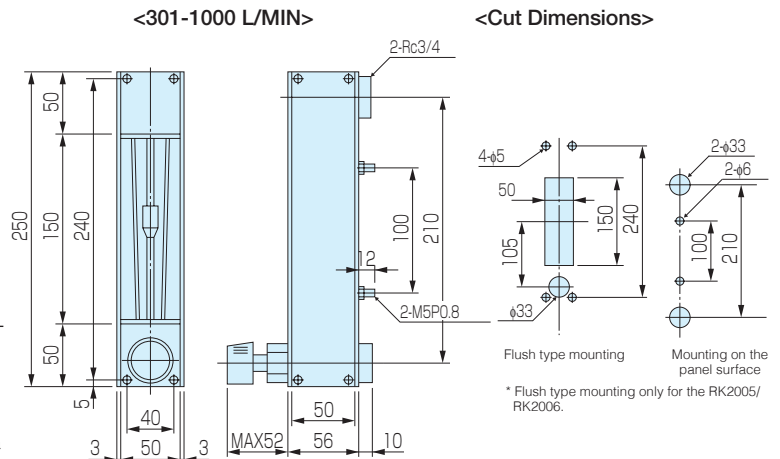
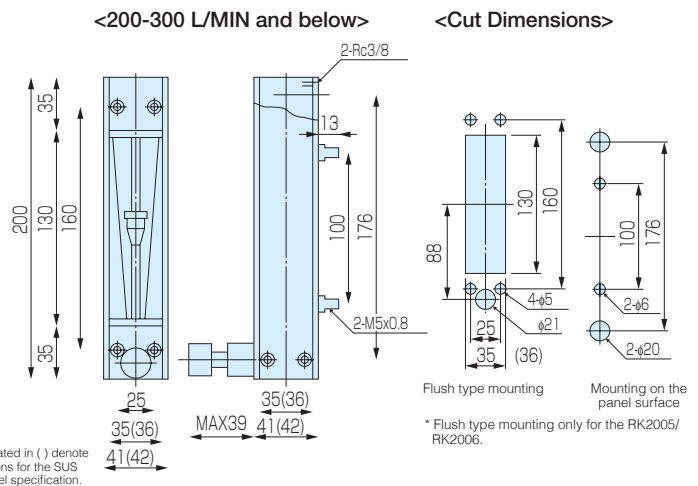
Fluids	Gases and liquids (Calibration conditions for other fluids)	
Accuracy	Within FS±5%	
Proof pressure	0.7MPa	
Materials	S	BS
Body block and some other components	SUS304	Brass
Tapered tube	Pyrex [®] , glass	
Packing	FKM, fluorocarbon resin	NBR, POM
Float	SUS304	
Protective cover	Acrylic resin	
Temperature resistance	MAX 60°C (RK2000), 10-30°C (RK2005, RK2006)	

Length designation code	Air (L/MIN)(at atmospheric pressure)	H ₂ O L/MIN
20	20-200	*1.0-10
Connection	25-250	—
	30-300	—
25	40-400	1.5-15
	50-500	*2.0-20
	70-700	*3.0-30
	100-1000	—

* The RK2005 and RK2006 are compatible with flow ranges marked with asterisks (*) only.



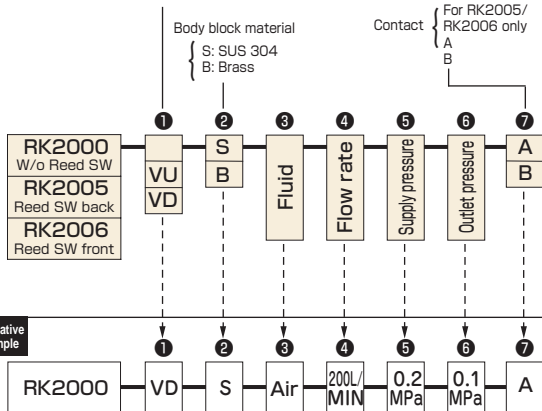
Dimensions (Based on air flows at 20°C and at atmospheric pressure)



Ordering

Valve { Blank: Without valve
VU: Valve at top (Optional)
VD: Valve at bottom

* Values indicated in () denote the dimensions for the SUS stainless steel specification.



* Refer to "Ordering" and "Illustrative example" when placing an order or requesting a quotation. Fill in the blanks in the "Order/Quotation Request Card" at the end of the catalog, and send the card by fax.

B