



Reed Switch Flowmeters (for Alarm Switches)

MODELS RK1970/RK1975/RK1976 SERIES

These compact reed switch flowmeters developed centering the focus on cost reduction are for monitoring gas and liquid flows. Any of these models is optimum for process control of cooling water.

Features

- Low price
- Compact design
- Compatible with gases and liquids



RK1975VD

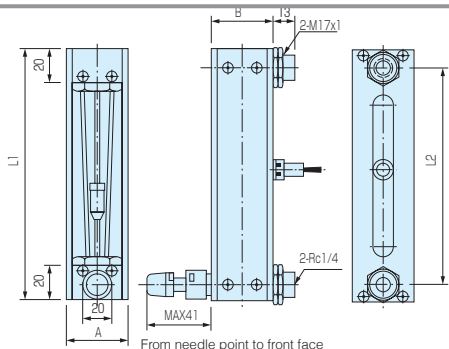
Standard Specifications and Length Designations

Fluids	H ₂ O and gases (H ₂ cannot be used for RK1975, RK1976)
Accuracy	FS±5%
Proof pressure	0.5 MPa standard
Materials	SUS 316, Pyrex [®] , FKM, POM, glass, fluorocarbon resin
Available scale	10: 1
Connection	Rc 1/4
Ambient temperature	10-35°C (No condensation)

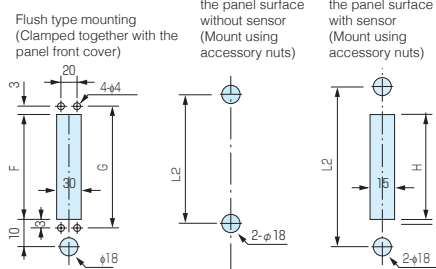
Length designation code	H ₂ O	Air (2)	Contact method
15	0.1-1L/MIN	3-30L/MIN	(A) Turns on when the flow rises over the set point. (B) Turn on when the flow goes down over the set point.
	0.3-3L/MIN	10-100L/MIN	
	0.5-5L/MIN	15-150L/MIN	
20	0.3-3L/MIN	10-100L/MIN	
	0.5-5L/MIN	15-150L/MIN	
Alarm setting range	20-90% F.S. common for all fluids		
Contact rating	100VAC/100VDC 10VAAC/10WDC		

* Calibration conditions for the flow ranges above are at 20°C (atmospheric pressure) for air, and at 20°C (0.3 MPa) for H₂O.

Dimensions



<Cut Dimensions>

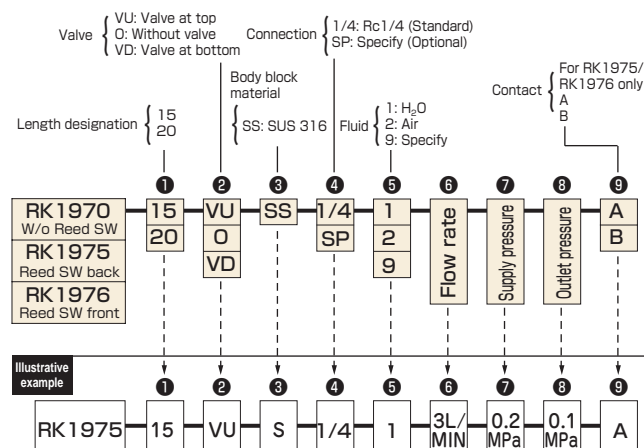


Dimensions of parts per length designation code

Part	15	20
A	36	36
B	35	35
L1	150	200
L2	130	180
F	110	160
G	116	166
H	100	150

* In case of flowmeter with reed switch

Ordering



* Refer to "Ordering" and "Illustrative example" when placing an order or requesting a quotation. Fill in the blanks in the "Order/Quotation Request Card" at the end of the catalog, and send the card by fax.