



Large Capacity Flow Meter

MODEL RK1950AP SERIES

Amber tapered tube with secure structure

Features

- Float receiver functions also as a joint, for secure piping.
- The block tapered tube has an O-ring seal.
- The integral housing protects the tapered tube.
- The tapered tube made of engineering plastic is impact-resistant.



Standard Specifications

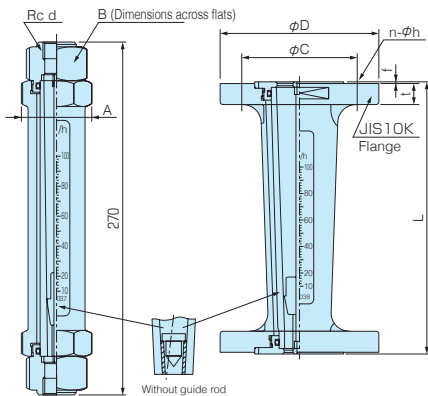
Accuracy	±2%F.S	
Max. operating temperature	120°C	
Max. operating pressure	1 MPa for 40 A or less	0.8 MPa for 50 A or more
Direction of flow	Bottom → Top	
Coating	Finish color: Gray (Close to Munsell N-6.5) Epoxy powder baking	
Connection standard	JIS10K-RF 10A-100A RC female thread 3/8-1 inch	Flange only ANSI150#RF,DIN
Part name	Material	
Float receiver	SUS304	
O-ring	NBR	
Tapered tube	Polysulfone resin (Transparent amber)	
Housing	Ductile cast iron: FCD400	
Rod	SUS304	
Float	SUS304	

Bore	For water	For air
10A	1.5-10L/min	120-400L/min
15A	1.5-15L/min	120-500L/min
20A	1.5-30L/min	0.12-1m ³ /min
25A	9-100L/min	0.35-3.5m ³ /min
32A	60-150L/min	2.5-6m ³ /min
40A	90-200L/min	3-7m ³ /min
50A	80-300L/min	3-10m ³ /min
65A	250-500L/min	9-18m ³ /min
80A	250-500L/min	9-18m ³ /min
100A	400-900L/min	15-30m ³ /min

* Gas (Applicable to N₂, O₂, H₂, Ar, etc.)
* Maximum scale range (20°C at 0.05MPa for AIR)

* Threaded type for 10-25 A
Flange type for 10-100 A

Dimensions



Dimensions of each part mm

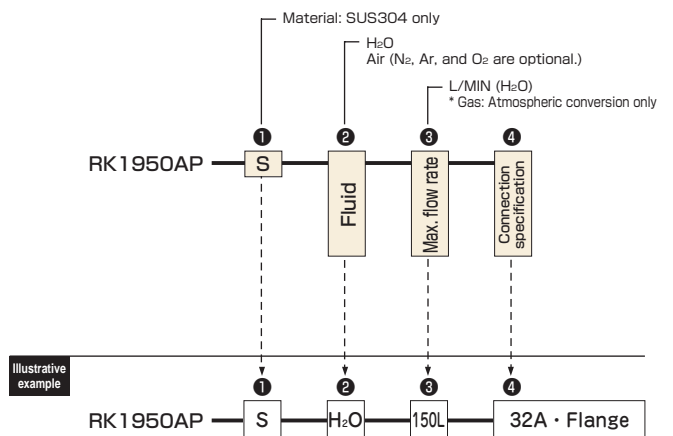
Bore	d	A	B
10A	3/8	52	41
15A	1/2	52	41
20A	3/4	62	46
25A	1	73	41*

* Width across flats

Dimensions of each part JIS10kg/cm²RF mm

Bore	L	φD	φC	f	t	n-φh
10A		90	65	1	14	4-15
15A		95	70	1	16	4-15
20A		100	75	1	18	4-15
25A		125	90	1	18	4-19
32A	220	135	100	2	20	4-19
40A		140	105	2	20	4-19
50A		155	120	2	20	4-19
65A		175	140	2	22	4-19
80A		185	150	2	22	8-19
100A	250	210	175	2	24	8-19

Ordering



* Refer to "Ordering" and "Illustrative example" when placing an order or requesting a quotation. Fill in the blanks in the "Order/Quotation Request Card" at the end of the catalog, and send the card by fax.