



Simplified Flexible Flow Meter (with Exchangeable Tapered Tube)

MODEL RK1100 SERIES

The flexible flow meter is designed to permit easy disassembly, cleaning, and reassembly. It is ideal for equipment that must be disassembled for maintenance. Users can change the flow meter tube only without changing the block.

B

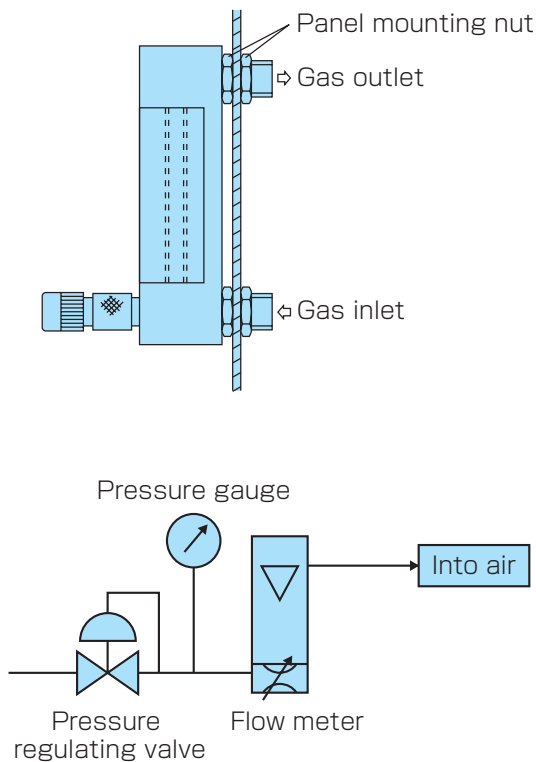
Features

- **Easy disassembly and reassembly**
It can be disassembled just with a screwdriver and wrench. This flow meter is ideal when frequent cleaning or tube change is required.
- **Sophisticated design**
Equipped with many shaped component parts and an alumite body with a satin finish, the product has a sophisticated design.
- **High-precision flow meter**
A high-precision flow meter tube equivalent to that used in the precision flow meter RK1450 is used.
- **Models (1100V and 1100VP) equipped with a valve are also available.**
The models with a needle valve come in two types – a precision needle valve type 1100PV and a simplified needle valve type 1100V.

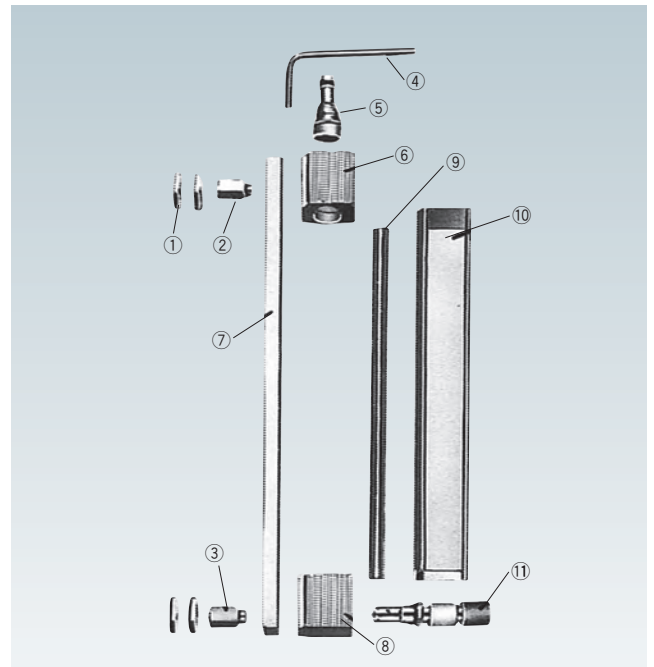
Applications

- In combination with various measuring instruments
- Measurement of pipe lines
- Compressors
- Semiconductor related equipment

Example of use



Exploded view



①	Panel mounting nut	⑦	Backboard base
②	Gas outlet joint	⑧	Lower block
③	Gas inlet joint	⑨	Glass tapered tube
④	Wrench for disassembly/reassembly	⑩	Acrylic cover
⑤	Glass tube retainer	⑪	Needle valve
⑥	Upper block		

Standard Specifications

Fluids	Air, N ₂ , O ₂ , H ₂ , He, Ar, CO ₂ (Calibration with actual gas) For other gases, please consult us regarding conversion conditions or calibration with the actual gas to be used.	
Flow range (FS)	RK1100	10ML/MIN-20L/MIN
	RK1100PV	
	RK1100V	1L/MIN-20L/MIN
Accuracy	FS ±2% (Measurement point) * Option: FS ±1% (Measurement point)	
Proof pressure	0.5MPa	
Available scale	10:1 * Option 20:1	

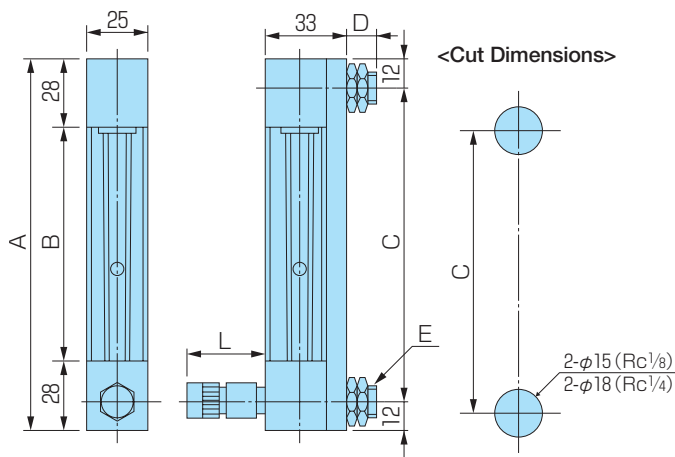
Material	S	Al
Body block	SUS303 - 304	
Tapered tube	Pyrex [®] , glass	
Packing	FKM	NBR
Float	Pyrex [®] , SUS316, glass	
Protective cover	Acrylic resin	
Heat resistance	MAX60°C	
Connection	Rc 1/4 (Standard), Rc 1/8 (Optional)	

Capacity Table

Air (Flow rate under atmospheric pressure)

Total length	Max. flow rate															
	10	20	30	50	100	150	200	300	500	1	2	3	5	10	15	20
	ML/MIN	ML/MIN	ML/MIN	ML/MIN	ML/MIN	ML/MIN	ML/MIN	ML/MIN	ML/MIN	L/MIN	L/MIN	L/MIN	L/MIN	L/MIN	L/MIN	L/MIN
120mm	○	○	○	○	○	○	○	○	○	○	○	○	○	○	○	○
150mm	○	○	○	○	○	○	○	○	○	○	○	○	○	○	○	○
200mm	—	—	—	○	○	○	○	○	○	○	○	○	○	○	○	○
250mm	—	—	—	—	—	—	○	○	○	○	○	○	○	○	○	○

Dimensions

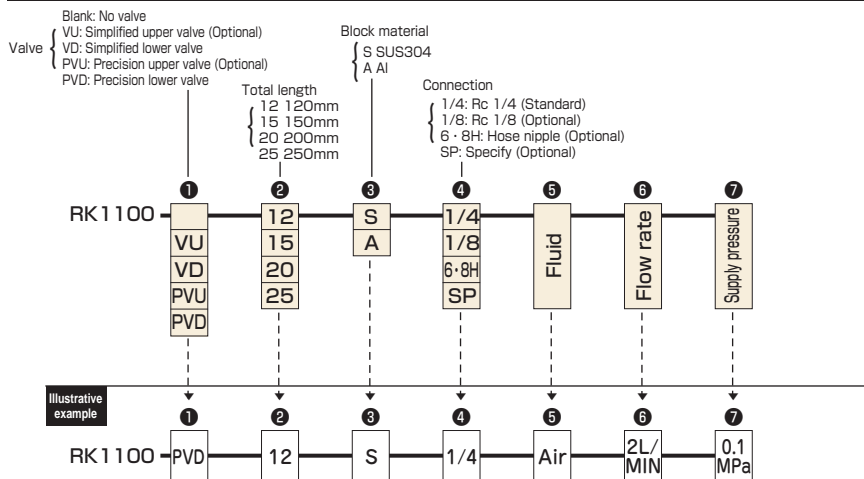


Dimensions of parts per length designation code

Part Code	A	B	C	D		E	
				Rc1/8	Rc1/4	Rc1/8	Rc1/4
12	120	64	96	10	14	M14X1	M17X1
15	150	94	126	10	14	M14X1	M17X1
20	200	144	176	10	14	M14X1	M17X1
25	250	194	226	10	14	M14X1	M17X1

Model	L
RK1100	0
RK1100V	33MAX
RK1100PV	40

Ordering



* Refer to "Ordering" and "Illustrative example" when placing an order or requesting a quotation. Fill in the blanks in the "Order/Quotation Request Card" at the end of the catalog, and send the card by fax.